

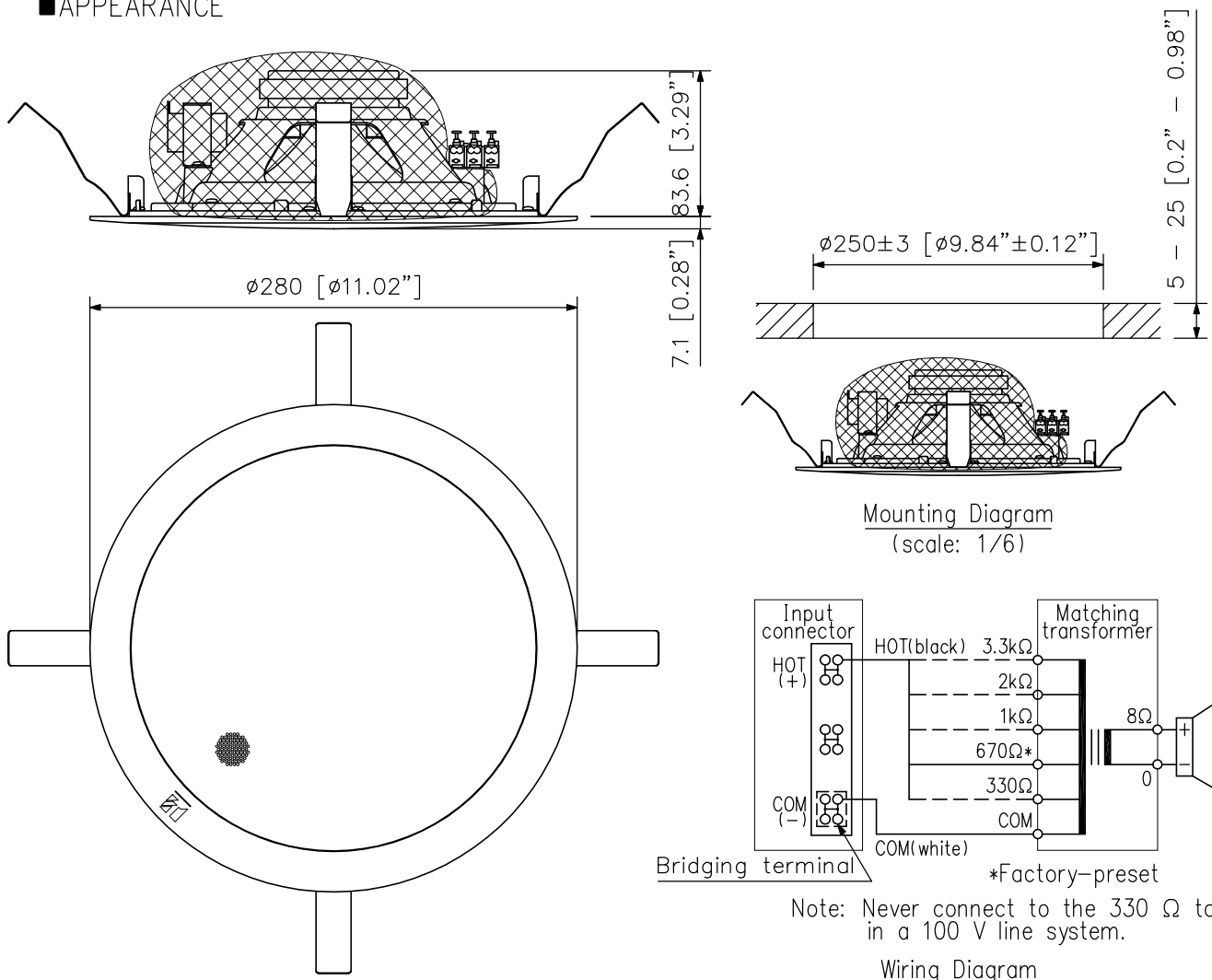
DESCRIPTION

Integrated with a speaker unit and panel, the PC-2852 Ceiling Mount Speaker is of all metallic construction and ideal for use in a voice alarm system. It features spring clamp mechanism for easy speaker mounting to the ceiling. The input impedance can be easily changed by changing the tap position of the transformer. The push-in type input terminal block makes cable connections easy and allows bridge wiring.

SPECIFICATIONS

| | |
|----------------------------|---|
| Rated Input | 15 W (100 V, 70 V line) |
| Rated Impedance | 100 V line: 670 Ω (15 W), 1 kΩ (10 W), 2 kΩ (5 W), 3.3 kΩ (3 W) 70 V line: 330 Ω (15 W), 670 Ω (7.5 W), 1 kΩ (5 W), 2 kΩ (2.5 W), 3.3 kΩ (1.5 W) |
| Sensitivity | 96 dB (1 W, 1 m) (500 – 5,000 Hz, pink noise) |
| Frequency Response | 45 – 20,000 Hz (peak –20 dB) |
| Speaker Component | 20 cm (8") coaxial cone-type |
| Dimensions for Fixing Hole | Mounting hole: $\phi 250 \pm 3$ mm ($\phi 9.84" \pm 0.12"$) Ceiling thickness: 5 – 25 mm (0.2" – 0.98") |
| Speaker Mounting Method | Spring clamp |
| Applicable Cable | 600 V vinyl-insulated cable (IV wire or HIV wire) Solid copper wire: $\phi 0.8$ – $\phi 1.6$ mm (equivalent to AWG 20 – 14) 7-core twisted copper wire: 0.75 – 1.25 mm ² (equivalent to AWG 18 – 16) |
| Connection | Push-in connector (bridging terminal-2 branch type) |
| Finish | Baffle: Steel plate, off-white (RAL 9010 or equivalent color), paint Grille: Surface-treated steel plate net, off-white (RAL 9010 or equivalent color), paint |
| Dimensions | $\phi 280 \times 92$ (D) mm ($\phi 11.02" \times 3.62"$) |
| Weight | 1.6 kg (3.53 lb) |
| Accessory | Paper pattern *1 |

APPEARANCE



UNIT:mm SCALE:1/4